



Sigma I

Extensive flexibility

The Sigma I was designed as a ground mount system for the use of unframed and framed modules.

Outstanding adjustability

The outstanding adjustability of the Sigma I system is provided by the combination of base rails and X-Stones. These technologies make it possible for the Sigma I system to follow terrain height variations along the span of the system, thereby eliminating the need for cost-intensive earthworks.

Significant savings

Sigma I stands out due to its very high degree of pre-assembly, its simple, functional design and the minimal number of tools needed for installation. Especially in big projects, this generates considerable savings in installation costs.

Maximum service life

Two of the essential characteristics of the Sigma I are long service life and very minimal maintenance requirements. The all-aluminium support design guarantees corrosion resistance and maximum durability.

Well-thought-out ecologically

Due to the ground clearance of the modules and the lack of concrete foundations, Sigma I avoids both the sealing and the desolation of the ground. In addition, the system is completely recyclable and enables easy renaturalisation of the terrain.



Open terrain



Unframed module



Framed module



Orientation portrait



Orientation landscape





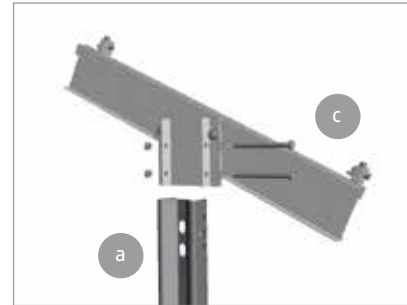
Orientation landscape



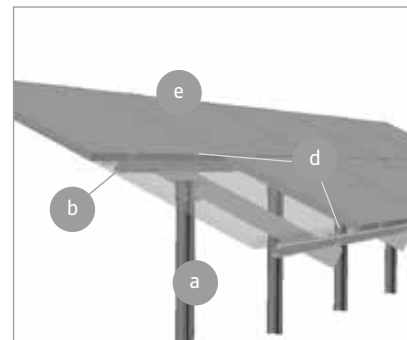


Application	Open terrain – ground mount
PV modules	Framed, unframed
Module layout	Single-row or multi-row, up to approx. 20 m per frame unit, endless alignment
Module orientation	Portrait, landscape
Module inclination	15°, 20°, 25° and 30° ¹
Ground clearance	80 cm ¹
Sigma post spacing	Dependent on laminate or module type and site conditions
Standards	Eurocode 1 – Actions on structures Eurocode 9 – Design of aluminium structures
Supporting profiles	Extruded aluminium (EN AW 6063 T66) Sigma post: Galvanised steel
Small parts	Steel, zinc-flake-coated, Stainless Steel (project specific V2A / V4A) Extruded aluminium (EN AW 6063 T66)
Colour	Aluminium: plate finish
Warranty	10 years ²

Configuration	Modules	Foundation	Clamping
Sigma I 1 portrait ³	Framed and unframed modules	Suitable for all types	Clickstone- system 
Sigma I 2 landscape ³	Framed modules		Click-system 



Detailed view of the pre-assembled adapter



Detailed view of Sigma I with modules

- a Ramming post
- b Base rail
- c Adapter with chevron
- d Module clips
- e PV module

¹ Other on demand.
² Please find the exact terms in the Mounting Systems GmbH warranty document.
³ Revised system.